

Peter KOFOED

Peter V. NIELSEN

Aalborg Universitetscenter

THERMAL PLUMES IN VENTILATED ROOMS - AN EXPERIMENTAL RESEARCH WORK

Summary. The velocity - and temperature distribution in thermal plumes above different heat sources (circular plate, heat source in vertical tube, rectangular plate) has been measured at different vertical temperature gradients, heat source temperatures and heat supplies.

Measurements show that the vertical temperature gradient has a great influence on the entrainment in the plume. The form and size of the heat source have also an influence on the plume.

The location of heat source in relation to the walls in the room has a great influence on the entrained air in the plume. The entrainment flow close to a single wall or corner is reduced to 70% and 60% respectively of the entrainment in the corresponding free plume.

The change from a vertical to a horizontal flow in the free plume takes place at a constant Archimedes number in which velocity, temperature difference and characteristic length are local values.

INTRODUCTION

Ventilation systems with vertical displacement flow have been used in industrial areas with extensive heat loads for many years. Hot and contaminant air is carried directly from the occupied zone towards the ceiling by hot processes and other activities which create a natural convection flow as shown in fig. 1.

Quite recently the vertical displacement flow systems have grown popular as comfort ventilation in rooms with heat loads e.g. office rooms. The plumes from hot surfaces, from equipment located at different heights and from persons, together with draught from cold surfaces, make a rather complicated situation as shown in fig. 2, ref. (1).

The displacement flow systems have two advantages compared with traditional mixing systems.

- An efficient use of energy. It is possible to remove exhaust air from the room where the temperature is several degrees above the temperature in the occupied zone which allows a higher air inlet temperature at the same load.

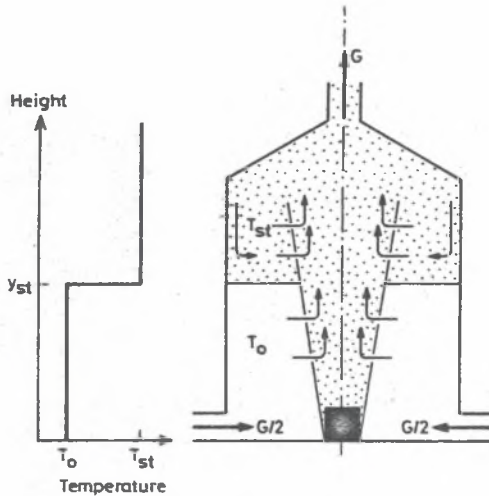


Fig. 1. Vertical displacement flow in an industrial area with a hot process. The primary air is supplied in the occupied zone and it is entrained in the hot plume up to a height y_{st} where the flow is equal to the air flow G supplied. A recirculation flow of hot air appears above the height y_{st} . The graph to the left shows an idealized picture of the vertical temperature distribution with the temperature T_o in the occupied zone and T_{st} in the hot zone

Rys. 1. Pionowy przepływ w gorących procesach przemysłowych. Powietrze jest początkowo nawiewane do strefy pracy i wraz z gorącym strumieniem przechodzi w górę do wysokości y_{st} , gdzie przepływ równy jest przepływowi powietrza nawiewanego G . Recyrkulacja gorącego powietrza występuje powyżej wysokości y_{st} . Wykres przedstawia idealny obraz pionowego rozkładu temperatury, gdzie T_o - temperatura w strefie pracy i T_{st} - temperatura w strefie gorącej

- An appropriate distribution of contaminant air. The vertical temperature gradient (or stratification) implies that fresh air and contaminant air are separated. The most contaminant air can be found above the occupied zone and the air flow supplied can be reduced.

DESIGN

The design of a displacement ventilation system involves determination of the flow rate in the thermal plumes. A reasonable supply air quantity G is then chosen so that the height y_{st} of the fresh air is above the head level.

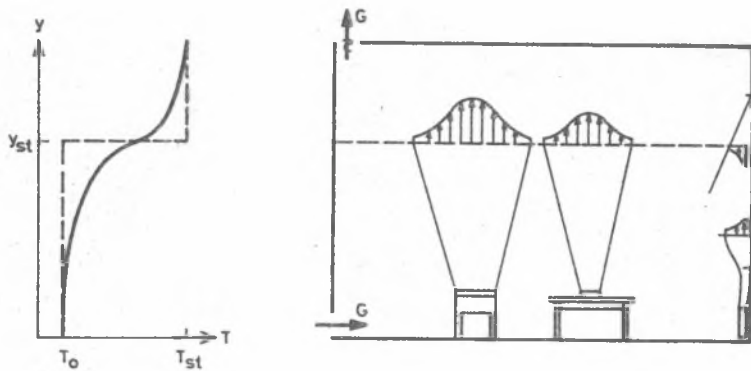


Fig. 2. Vertical displacement flow in an office room. The primary air is supplied in the occupied zone and is entrained in the hot plumes from the heat sources and in the cold draught. Dependent on the air flow supplied and the vertical air flow in the room there must be a certain height y_{st} at which the upward moving air flow is equal to the supplied air flow. The graph to the left shows the vertical temperature gradient which is a result of the interaction between the different plumes.

Rys. 2. Przepływ pionowy w pomieszczeniu przemysłowym. Powietrze nawiewane jest do strefy pracy i rozchodzi się wraz z gorącymi strumieniami z nad źródeł ciepła i z zimnym prądem skierowanym ku dołowi. W zależności od przepływu powietrza nawiewanego i pionowego przepływu powietrza na pewnej wysokości y_{st} przepływ powietrza płynącego w górę musi być równy przepływowi powietrza nawiewanego. Wykres przedstawia pionowy gradient temperatury wynikający z wzajemnego oddziaływania pomiędzy różnymi strumieniami

Baturin (2) states the equations (1) to (4) describing the axi-symmetrical thermal plume over a concentrated heat source. The equations are based on Schmidt's relations for velocity and temperature over a point heat source, ref. (3). The flow in the plume is a fully developed turbulent flow for a height exceeding $2d$, and it is described by:

$$v_y = 0.13 Q^{1/3} (y+d)^{-1/3} \quad (1)$$

$$\Delta T_y = 0.45 Q^{2/3} (y+d)^{-5/3} \quad (2)$$

$$G = 0.005 Q^{1/3} (y+d)^{5/3} \quad (3)$$

$$w = 0.44 (y+d) \quad (4)$$

v_y maximum velocity (m/s)

ΔT_y maximum temperature (K)

G air volume flow (m^3/s)

w	width of the velocity profile	(m)
y	vertical distance from heat source	(m)
d	diameter of heat source	(m)
Q	convective heat emission	(W)

The virtual origin of the flow is located at a distance d below the heat source.

This paper describes measurements on plumes in areas with vertical temperature gradients, which are common for displacement flow, see fig. 2. It will also describe the flow from different heat source geometries and the influence from wall surfaces on the entrainment in the plumes. All the above conditions are normally not taken into consideration in the design of a displacement flow system and they cannot be expressed by the equations (1) to (4), ref. (4) and ref. (5).

MEASUREMENTS AND DISCUSSION

Thermal plumes above different heat sources have been investigated by measuring velocity and temperature distributions in the plumes, by measuring the vertical temperature gradient in the surrounding air and by measuring the heat load.

The following heat sources have been used:

Circular plate	d = 112.8 mm	A = 0.010 m ²
	d = 225.7 mm	A = 0.040 m ²
	d = 356.8 mm	A = 0.100 m ²
Circular tube	d = 100 mm	A = 0.008 m ²

All the circular plates are silver-coated and they are placed horizontally in alu-covered mineral wool. The relation between convection and radiation is dependent on source type, size and temperature. The silver-coated horizontal plates emit roughly 90% of the heat by convection, while the tube emits a lower quantity by convection. The two types of heat sources are shown in fig. 3.

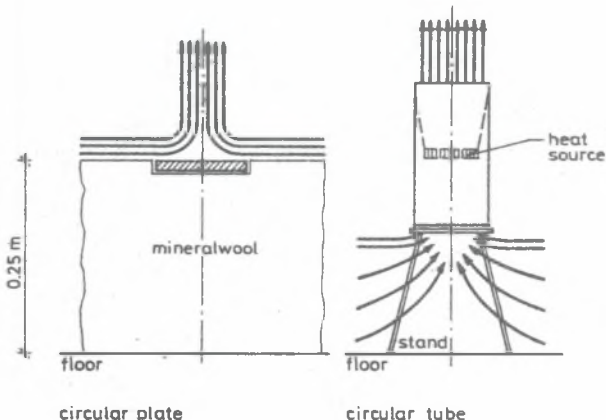


Fig. 3. The different heat sources and the surrounding flow

Rys. 3. Różne źródła ciepła i przepływy w ich otoczeniu

VERTICAL TEMPERATURE GRADIENT

During these measurements the vertical temperature gradient $\partial T/\partial y$ in the surrounding air has varied in the range between 0.09 and 0.27 K/m. Three experiments with the same heat source and heat load but with different gradients have been carried out. The velocity is described by an equation of the type $v = \alpha(y+d)$ where α has the values as shown in table 1:

Table 1

$\partial T/\partial y$ (K/m)	α
0.09	-0.33
0.15	-0.51
0.27	-0.64

The influence of the temperature gradient $\partial T/\partial y$ on the velocity v is not as significant as the influence on the power α in table 1. In the results described later the temperature gradient $\partial T/\partial y$ has values of approximately 0.2 K/m.

JET WIDTH

In all experiments the width w increases at a higher rate than expected, as can be seen from fig. 4.

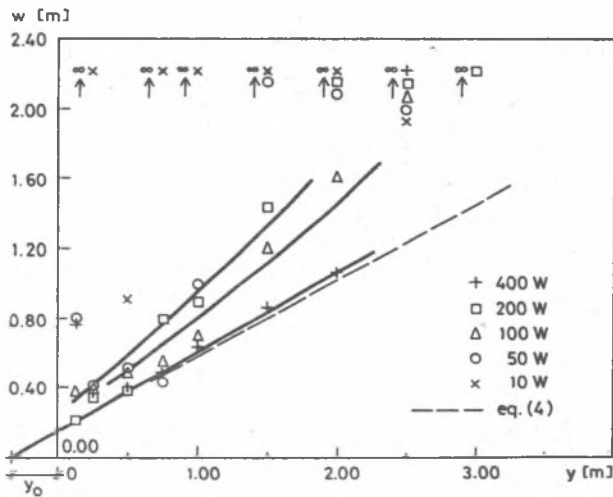


Fig. 4. The width w as a function of the distance y from the heat source. Circular plate $d = 356.8$ mm.

Rys. 4. Szerokość w jako funkcja odległości y od źródła ciepła. Okrągła płyta, $d = 356,8$ mm

Equation (4) shows that the increase of the width w is directly proportional to the distance from the virtual origin of the plume which can also be seen from fig. 4. The straight line in the figure shows the locations of the virtual origins and the distance y_0 . The measurements show an increasing growth of the plume width w for $y > \approx 1.0$ m which indicates horizontal flow and disintegration of the vertical plume.

VELOCITY

The measured velocities are smaller than expected in all experiments, which is shown in fig. 5 and fig. 6. The figures show three typical areas: An acceleration area, an area with a velocity decay of the type $v \sim (y+y_0)^{-1/2}$, and an area with disintegrating tendencies, (a) $y < 1.0$ (b) and (c) in fig. 5 and fig. 6.

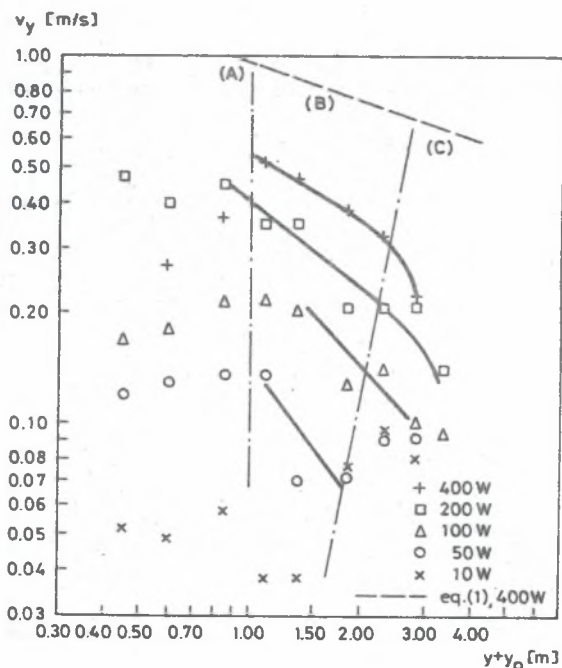


Fig. 5. Maximum velocity v_y in plume versus distance $y+y_0$. Circular plate $d = 356.8$ mm

Rys. 5. Maksymalna prędkość v_y w strumieniu względem odległości $y + y_0$. Okrągła płyta, $d = 356,8$ mm

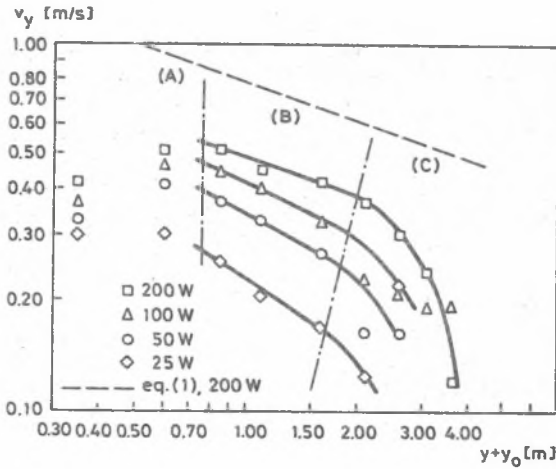


Fig. 6. Maximum velocity v_y in plume versus distance $y+y_0$. Circular tube $d = 100$ mm

Rys. 6. Maksymalna prędkość v_y w strumieniu względem odległości $y + y_0$. Rura o przekroju kołowym, $d = 100$ mm

Table 2

According to equation (1) the velocity v_y should decrease with the distance $y+d$ at the power $-1/3$ and the measurements show the following power α , table 2.

Heat source	Heat load Q (W)	Vert. temp. grad. $\partial T / \partial y$ (K/m)	Power α
Circ. plate $d = 356.8$ mm	10	0.21	$-\infty$
	50	0.21	-1.33
	100	0.21	-0.98
	200	0.09	-0.85
	400	0.10	-0.60
Circ. tube $d = 100$ mm	25	0.20	-0.63
	50	0.15	-0.52
	100	0.15	-0.37
	200	0.15	-0.33

Table 2 shows that an increase in the heat load will reduce the numerical value of the power α and the theoretical value of -0.33 is obtained for the tube at high heat loads. It is further seen from fig. 5 and fig. 6 and from table 2 that the heat source geometry is of great importance in the description of the thermal flow.

VELOCITY PROFILE

The velocity profile can be described as a Gaussian error function in areas with similar turbulent flow, ref. (4) and (5).

$$\frac{v}{v_y} = \exp\left(\frac{-16 \ln 2}{w^2} y^2\right) \quad (5)$$

The measurements show that similarity between the profiles exists in the area where the width w is proportional to the distance $y+y_0$ and the velocity v_y is proportional to $(y+y_0)^\alpha$.

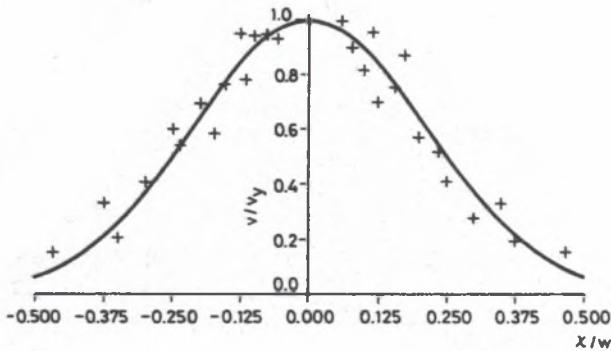


Fig. 7. Normalized velocity profile

Rys. 7. Znormalizowany profil prędkości

Fig. 7 shows a typical example of the velocity profile and the measurements in the area with similar turbulent flow.

VOLUME FLOW

The volume flow G in the plume is found as the volume of the rotational Gaussian error function:

$$G = 0.22 \cdot 10^{-3} w^2 v_y \quad (6)$$

G volume flow (m³/s)

w width (m)

v_y maximum velocity (m/s)

The volume flow G is calculated from the plume width w and the velocity v_y , and fig. 8 gives an example:

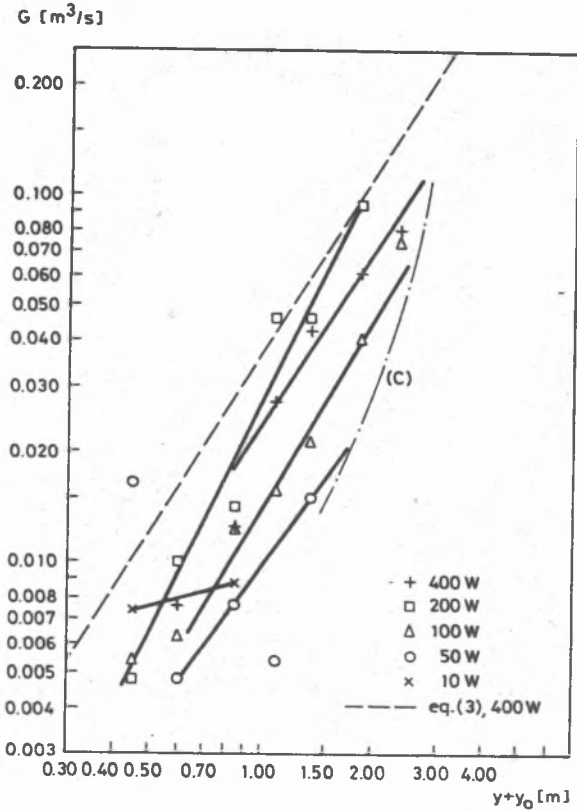


Fig. 8. The volume flow G as a function of the distance $y+y_0$. Circular plate $d = 356.8$ mm.

Rys. 8. Przepływ G w funkcji odległości $y + y_0$. Okrągła płyta, $d = 356,8$ mm

The power $5/3$ is observed in most cases. The volume flow G is often equal to the values found in equation (3) although width and velocity in the plume are larger or smaller, respectively, than the values found from equations (1) and (4).

The vertical temperature gradient will disintegrate the plume at a certain height as indicated in the fig. 8, area (c).

TEMPERATURE DIFFERENCE

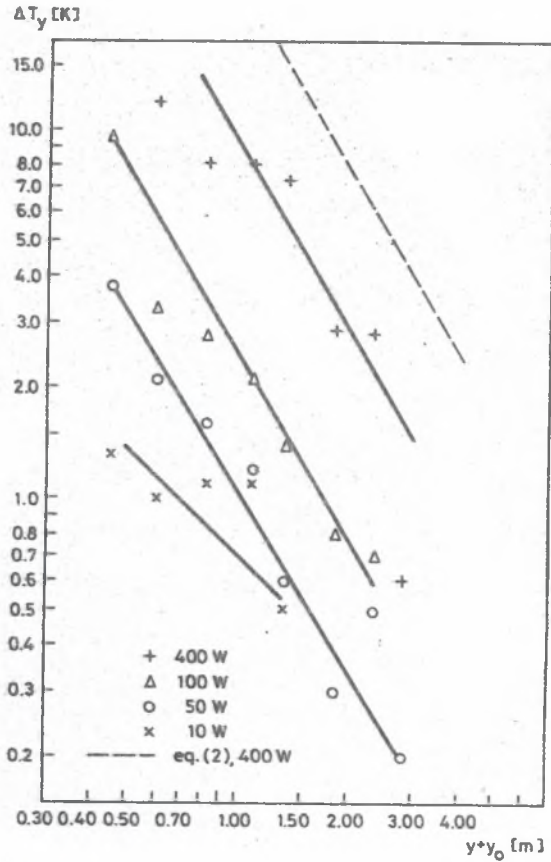


Fig. 9. Temperature difference ΔT_y versus distance $y+y_0$. Circular plate $d = 356.8$ mm

Rys. 9. Różnica temperatur T_y względem odległości $y + y_0$. Okrągła płyta, $d = 356,8$ mm

Fig. 9 shows some measurements of the temperature difference ΔT_y . All the measured temperatures are small compared to equation (2), but the power $-5/3$ is obtained in most cases.

LOCAL ARCHIMEDES NUMBER

A local Archimedes number Ar_y may describe the flow in the plume.

$$Ar_y = \frac{g \omega \Delta T_y}{v^2 T_{sur}} \quad (7)$$

- g gravity
- w width
- ΔT_Y temperature difference: $\Delta T_Y = T_Y - T_{sur}$
- T_Y maximum temperature in the plume
- T_{sur} temperature of the surrounding air
- v_Y maximum velocity

It has been observed by smoke experiments that the vertical flow becomes horizontal in some cases due to temperature stratification. Measurements show that the vertical flow leaves the area with similarity at the same value of the local Archimedes number $Ar_Y \approx 1.0$ and it is fully horizontal at $Ar_Y \approx 0.0$ because ΔT_Y will be equal to 0.0 at that height.

ENTRAINMENT IN PLUMES CLOSE TO WALLS

The entrainment in a thermal plume can be influenced by the surrounding walls. Two experiments have been carried out to illustrate this. In the first experiment the heat source is placed close to a vertical wall surface so that a kind of

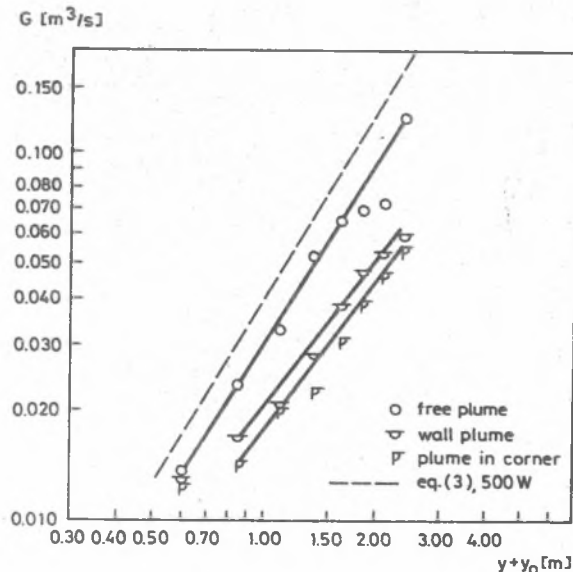


Fig. 10. The volume flow G versus the distance $y+y_0$ in a free plume, in a plume located close to a single wall, and in a plume located in a corner between two walls

Rys. 10. Przepływ G względem odległości $y + y_0$ w strumieniu swobodnym, w strumieniu w pobliżu pojedynczej ściany i w strumieniu w rogu pomiędzy dwiema ścianami

wall-jet appears, in the second experiment the heat source is placed in a corner between two vertical wall surfaces. The measurements are carried out with a high thermal load ($Q = 500$ W) from the most concentrated heat source (tube $d = 100$ mm) to reduce the influence by the vertical temperature gradient.

Fig. 10 shows the measured results for three situations. The volume flow G increases with the distance $y+y_0$ at the power $5/3$ and the entrainment is reduced to 70% when the heat source is placed close to a single wall. It is reduced to 60% when the heat source is placed in a corner.

CONCLUSION

The traditional equation system for thermal plumes (eqs. 1 to 4) does not take the vertical temperature gradient in the surroundings, the heat source geometry and the location of the heat source close to walls into account.

The measurements show that the plume width increases at a higher rate, the velocity decreases faster and is less influenced by the convective heat emission compared to the results from eq. 1 and eq. 4. The measured volume flow in the plume will often be equal to the values from equation 3 but the vertical temperature gradient may dissolve the plume in a certain height.

The experiments with circular plates and circular tubes show that the heat source geometry is decisive for the thermal flow. The flow from the tube is more stable than the one from the plates at the same heat emission.

It is a general conclusion that equations 1 to 4 can be regarded to be valid in the border-line case with a concentrated heat source and a large heat emission.

The entrainment in the thermal plume is influenced by the surrounding walls. Compared to a free plume the entrainment is reduced to 70% close to a single wall and to 60% when the heat source is placed in a corner.

In several cases it is observed that the similar turbulent flow in the plume disintegrates at a constant local Archimedes number.

REFERENCES

- (1) Skåret, E., Displacement ventilation, Room Vent 87, International conference on air distribution in ventilated spaces, Stockholm, 1987.
- (2) Baturin, V.V., Fundamentals of Industrial Ventilation, Pergamon Press, 1972.
- (3) Schmidt, W., Turbulente Ausbreitung eines Stromes erhitzter Luft, Z. angew. Math. Mech., Bd. 21, Nr. 5 & 6, Oktober & Dezember 1941.

(4) Popiolek, Z., Problems of Testing and Mathematical Modelling of Plumes above Human Body and other Extensive Heat Sources, A4 - series., Inst. för Uppvärmnings- och ventilationsteknik, KTH, Stockholm.

(5) Mierzwinski, S. & Popiolek, Z., Experimental Verification and Possibilities of Application of a Plume Model above a Point Heat Source, A4- series, No. 58, KTH, Stockholm.

STRUMIENIE CIEPLNE W POMIESZCZENIACH WENTYLOWANYCH

- EKSPERYMENTALNE PRACE BADAWCZE

S t r e s z c z e n i e

Przeprowadzono pomiary rozkładów prędkości i temperatury w strumieniach cieplnych ponad różnymi źródłami ciepła (okrągła płyta, źródło ciepła w pionowej rurze, prostokątna płyta) przy różnych pionowych gradientach temperatury, temperaturach źródła i ilościach dostarczanego ciepła.

Na podstawie pomiarów stwierdzono, że pionowy gradient temperatury ma duży wpływ na unoszenie w strumieniu. Również postać i wielkość źródła ciepła wpływają na strumień.

Unoszenie powietrza w strumieniu zależy też od położenia źródła ciepła względem ścian pomieszczenia. Przepływ w pobliżu jednej ściany lub w rogu pomieszczenia stanowi odpowiednio 70% i 60% przepływu w odpowiednim strumieniu swobodnym.

Zmiana z przepływu pionowego na poziomy w strumieniu swobodnym występuje przy stałej liczbie Archimedes, przy której prędkość, różnica temperatur i długość charakterystyczna są wielkościami lokalnymi.

ТЕПЛОВЫЕ ПОТКИ В ВЕНТИЛИРОВАННЫХ ПОМЕЩЕНИЯХ - ЭКСПЕРИМЕНТАЛЬНЫЕ ИССЛЕДОВАТЕЛЬСКИЕ РАБОТЫ

Р е з ю м е

Проведено измерения распределений скорости и температуры в тепловых потоках над разными источниками тепла: круглая плита, источник тепла в вертикальной трубе, прямоугольная плита при разных вертикальных градиентах температуры, температурах источника и количестве поставляемого тепла.

На основании измерений установлено, что вертикальный градиент температуры оказывает большое влияние на конвекцию в потоке. На поток влияют также форма и величина источника тепла.

Конвекция в потоке зависит также от положения источника тепла по отношению к стенам помещения. Течение вблизи одной стены или в углу помеще-

ния равно соответственно 70% и 60% течения в соответствующей свободной струе.

Переход с вертикального течения в горизонтальное в свободной струе наступает при постоянном числе Архимеда, при котором скорость, разность температур и характерная длина это местные значения.